

Single impeller centrifugal pumps manufactured cast iron, suitable for pressure boosting of water for irrigation, and non-aggressive liquids for civil and industrial uses.

CMR series is fitted with an open impeller for suspended solids handling.



SPECIFICATIONS

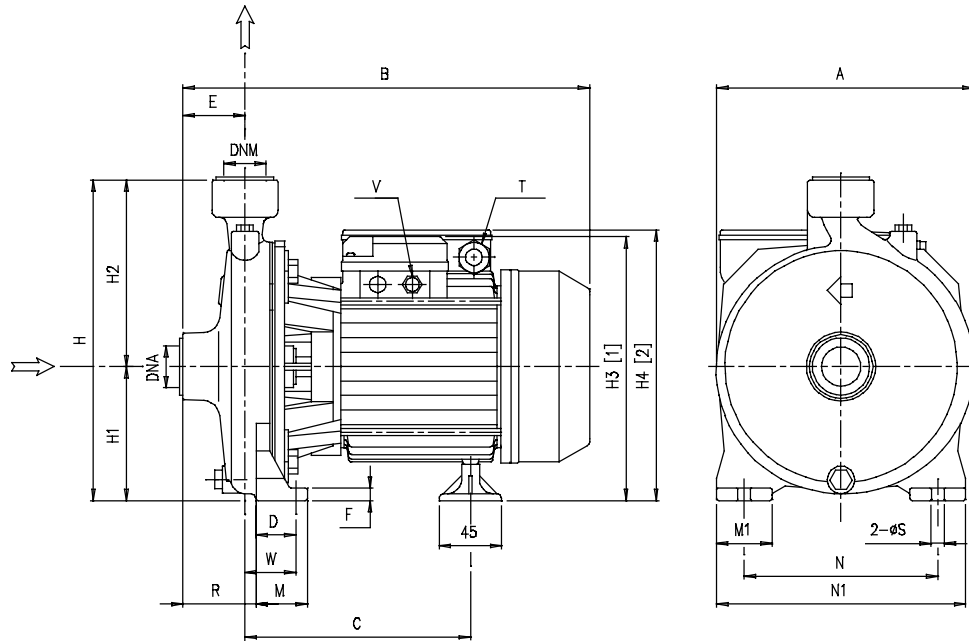
- Maximum working pressure: 6 bar, 8 bar for CMA 1.50-2.00-3.00 – CMB 4.40-5.50
- Maximum liquid temperature: 35°C according EN 60335-2-41 for domestic uses 40°C for CMA 0.50-0.75-0.80-1.00 90°C for other models

MATERIALS

- Pump body in cast iron
- Mechanical seal in carbon/ceramic/NBR
- Impeller: - in tecnopolymer for CMA 0.50-0.75-0.80-1.00
- in brass for CMA 1.50-2.00-3.00
CMB 2.00-3.00-4.00-5.50
CMR 0.75-1.00
- in cast iron for the other models.
- Shaft: - in AISI 303 for CMA 0.75-0.80-1.00
1.50-2.00-3.00
CMB 1.50-2.00-3.00
CMD 1.50-2.00-3.00
- in AISI 304 for CMB 4.00-5.50
CMD 4.00
- in AISI 416 for CMA 0.50
- Bracket: - in alluminium for CMA 0.50-0.75-0.80-1.00
CMB 0.75-1.00
CMC 0.75-1.00
CMR 0.75-1.00
- in cast iron for the other models

TECHNICAL DATA

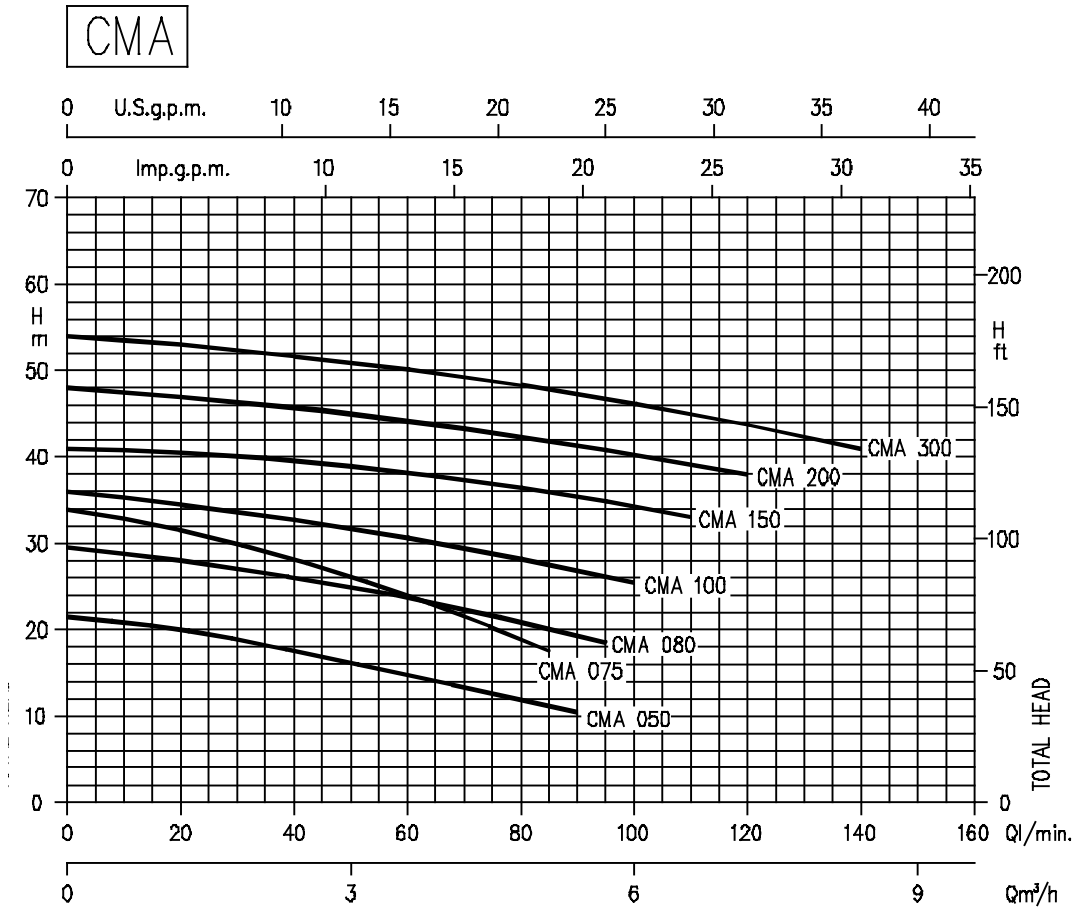
- T.E.F.C. 2 poles motor
- Insulation class F
- Protection degree IP44
- 1~230V ± 10% 50Hz, 3~230/400V ± 10% 50Hz
- Permanent split capacitor and automatic thermal overload protection for single-phase version
- Thermal protection to be provided by the user for three-phase version



DIMENSIONAL TABLE

Pump type		Dimensions (mm)																				Weight		
A	B	C	D	E	F	H	H1	H2	H3	H4	M	M1	N	N1	R	T	V	W	S	DNA	DNM	kg		
Single-phase	Three-phase								3~	1~														
CMA 0.50 M	CMA 0.50 T	160	261.8	158.8	30	44	8	202	82	120	172.5	173	40	40	110	150	44	PG11	PG11	30	9.5	G 1	G 1	7.3
CMA 0.75 M	CMA 0.75 T	185	300.3	171.8	36.8	45	9	232	97	135	197.5	198	45	40	140	180	45	PG11	PG11	36.8	9.5	G 1	G 1	11.7
CMA 0.80 M	CMA 0.80 T	185	300.3	171.8	36.8	45	9	232	97	135	197.5	198	45	40	140	180	45	PG11	PG11	36.8	9.5	G 1	G 1	10.7
CMA 1.00 M	CMA 1.00 T	185	300.3	171.8	36.8	45	9	232	97	135	197.5	198	45	40	140	180	45	PG11	PG11	36.8	9.5	G 1	G 1	12.0
CMA 1.50 M	CMA 1.50 T	200	347.3	208.3	41.8	45.5	9	252	100	152	214	232	50	40	155	194	45.5	PG13.5	PG11	41.8	9.5	G 1 1/4	G 1	19.4
CMA 2.00 M	CMA 2.00 T	225	360.3	208.3	41.8	45.5	9	285	115	170	229	247	50	40	180	220	45.5	PG13.5	PG11	41.8	9.5	G 1 1/4	G 1	21.3
-	CMA 3.00 T	225	360.3	208.3	41.8	45.5	9	285	115	170	229	-	50	40	180	220	45.5	-	PG11	41.8	9.5	G 1 1/4	G 1	22.0
CMB 0.75 M	CMB 0.75 T	188	315.3	182.3	36.8	49.5	9	251.5	101.5	150	127	127.5	45	40	140	180	65.5	PG11	PG11	52.8	9.5	G 2	G 1 1/4	12.5
CMB 1.00 M	CMB 1.00 T	188	315.3	182.3	36.8	49.5	9	251.5	101.5	150	127	127.5	45	40	140	180	65.5	PG11	PG11	52.8	9.5	G 2	G 1 1/4	13.8
CMB 1.50 M	CMB 1.50 T	188	349.3	206.3	36.8	49.5	9	251.5	101.5	150	215.5	233.5	45	40	140	180	65.5	PG13.5	PG11	52.8	9.5	G 2	G 1 1/4	20.5
CMB 2.00 M	CMB 2.00 T	200	373.3	209.3	36.8	57.5	9	271.5	111.5	160	225.5	243.5	45	40	160	200	76.5	PG13.5	PG11	55.8	9.5	G 2	G 1 1/4	21.5
-	CMB 3.00 T	200	373.3	209.3	36.8	57.5	9	271.5	111.5	160	225.5	-	45	40	160	200	76.5	-	PG11	55.8	9.5	G 2	G 1 1/4	21.5
-	CMB 4.00 T	247	428.8	222.3	48	60	12	323.5	133.5	190	264.5	-	60	50	190	240	77.5	-	G 1/2	65.5	12	G 2	G 1 1/4	39.0
-	CMB 5.50 T	247	428.8	222.3	48	60	12	323.5	133.5	190	264.5	-	60	50	190	240	77.5	-	G 1/2	65.5	12	G 2	G 1 1/4	41.0
CMC 0.75 M	CMC 0.75 T	186	313.3	186.8	36.8	43	9	247	97	150	197.5	198	45	40	140	180	63.5	PG11	PG11	57.3	9.5	G 2	G 2	12.3
CMC 1.00 M	CMC 1.00 T	186	313.3	186.8	36.8	43	9	247	97	150	197.5	198	45	40	140	180	63.5	PG11	PG11	57.3	9.5	G 2	G 2	13.0
CMD 1.50 M	CMD 1.50 T	213	384.3	222.8	36.8	68	12	271.5	111.5	160	225.5	243.5	45	40	160	200	100.5	PG13.5	PG11	69.3	9.5	G 2 1/2	G 2 1/2	22.0
CMD 2.00 M	CMD 2.00 T	213	397.3	222.8	36.8	68	12	271.5	111.5	160	225.5	243.5	45	40	160	200	100.5	PG13.5	PG11	69.3	9.5	G 2 1/2	G 2 1/2	24.0
-	CMD 3.00 T	213	397.3	222.8	36.8	68	12	271.5	111.5	160	225.5	-	45	40	160	200	100.5	-	PG11	69.3	9.5	G 2 1/2	G 2 1/2	24.0
-	CMD 4.00 T	213	449.3	234.8	36.8	68	12	271.5	111.5	160	354	-	45	50	160	200	100.5	-	G 1/2	69.3	9.5	G 2 1/2	G 2 1/2	31.5
CMR 0.75 M	CMR 0.75 T	180	310.3	181.8	36.8	45	9	229	97	132	197.5	198	45	40	140	180	60.5	PG11	PG11	52.3	9.5	G 1 1/2	G 1 1/2	11.0
CMR 1.00 M	CMR 1.00 T	180	310.3	181.8	36.8	45	9	229	97	132	197.5	198	45	40	140	180	60.5	PG11	PG11	52.3	9.5	G 1 1/2	G 1 1/2	12.2

PERFORMANCE CURVES (according to ISO 9906 Annex A)



PERFORMANCE TABLE

Pump type	kW	Capacitor		Absorbed Current (A)			l/min m ³ /h	Q=Capacity											
		μF	Vc	Single-phase	Three-phase			H=Total head											
Single-phase 230V 50Hz	Three-phase 230/400V 50Hz				230V	400V	20	40	60	80	85	90	95	100	110	120	140		
CMA 0.50 M	CMA 0.50 T	0.37	10	450	3,2	2,4	1,4	1,2	2,4	3,6	4,8	5,1	5,4	5,7	6	6,6	7,2	8,4	
CMA 0.75 M	CMA 0.75 T	0,55	16	450	4,7	3,2	1,8	20	17,8	15	12,1	11,2	10,5	-	-	-	-	-	
CMA 0.80 M	CMA 0.80 T	0,6	16	450	4,8	3,3	1,9	28	26,1	23,8	20,9	20,1	19,3	18,5	-	-	-	-	
CMA 1.00 M	CMA 1.00 T	0,75	20	450	6,2	4,3	2,5	34,5	32,8	30,6	28,2	27,6	26,9	26,2	25,5	-	-	-	
CMA 1.50 M	CMA 1.50 T	1,1	35	450	8	5,4	3,1	40,5	39,6	38,2	36,5	36	35,6	34,9	34,3	33	-	-	
CMA 2.00 M	CMA 2.00 T	1,5	40	450	10,3	7,5	4,3	47	45,8	44,2	42,4	41,9	41,4	40,9	40,3	39,2	38	-	
-	CMA 3.00 T	2,2	-	-	-	9,5	5,5	53	51,8	50,2	48,3	47,8	47,3	46,7	46,2	45	43,7	41	